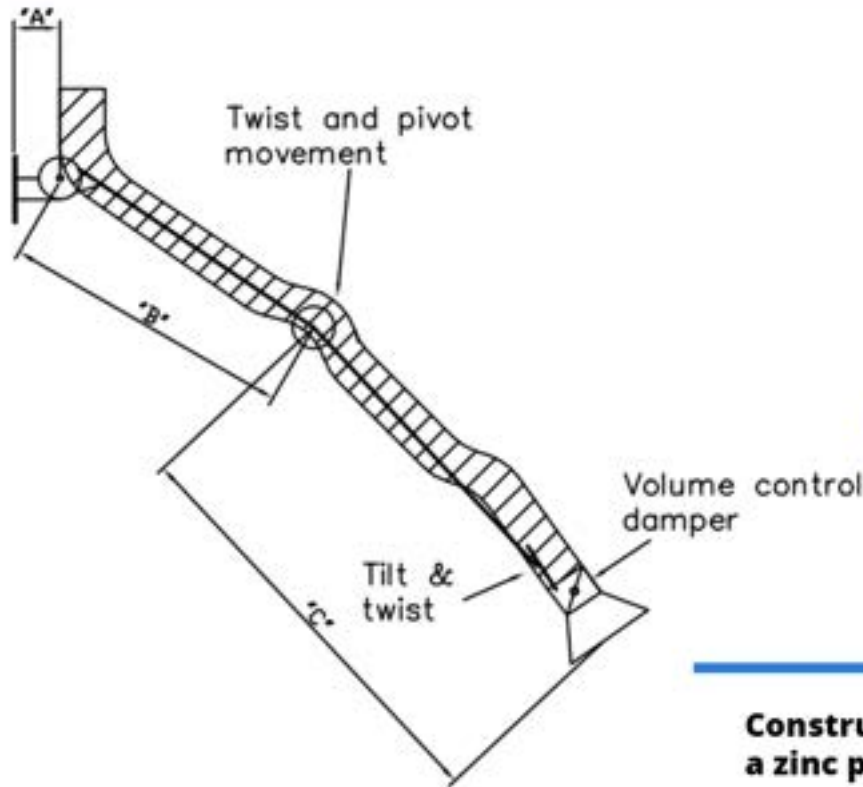


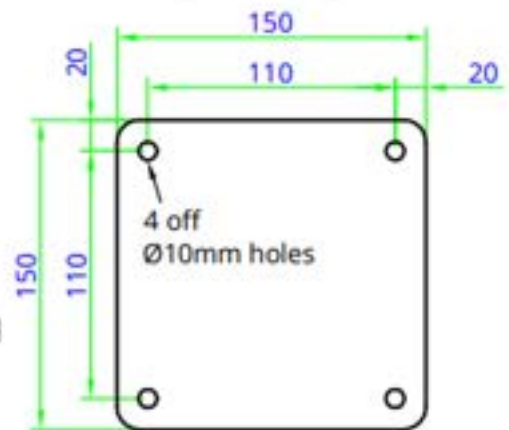


**DUST SPARES**  
[www.dustspares.co.uk](http://www.dustspares.co.uk)  
 dust control spare parts for industry

**FLEXIBLE DUST EXTRACTION ARMS**  
**1 METRE RADIUS**



**Mounting Plate "A"**  
**For 1m arms**  
**(Included)**



**Constructed from box section steel with a zinc plated finish including :**

- > Fully assembled delivery with wall mounting plate for easy installation
- > Supplied with a 2m length of Flexible Ducting
- > Clear Flexible Polyurethane Ducting connection in either a 80mm or 100mm Diameter, enabling any blockages to be identified
- > Circular Hood
- > Diameter size of Hood is the flex diameter +100mm. i.e - 80mm flex = 180mm hood
- > Butterfly Damper to shut off arm when not in use
- > No internal obstructions for a more efficient extraction
- > No internal moving parts in side the ducting to be corroded

Size	1m	2m	3m (2+1)
Reach	1375	2150	3150
Radius	1050	1750	2750
"A"	115	160	1160
"B"	545	950	950
"C"	735	1000	1000
KG	7	12	15
Mounting Plate	A	B	B

**CALL: 03456 800 696**  
**VISIT: [www.dustspares.co.uk](http://www.dustspares.co.uk)**