



Geovent ASA-3 Pu Clear extraction arm is suitable for dry application - Dust, chips and wood waste, where the operators needs are in focus when it comes to maneuverability, ergonomic and efficiency. The hose is mounted on the outside of the carrying arm. The arm has 3 stables and 2 turning points, which result in smooth operation. The arm can be extended up to 8 m. by means of extension arms. The ASA-3 is available in length of 2.0m, 3.0 m and 4.0 m.

## Description

**Wall bracket:** Steel console in powder enamel yellow RAL1007. The console is turn able up to 180°.

**Hood:** Light weight hood in ø80, 100, 125, 160 or ø200mm. The ø160 & ø200 mm hood is equipped with an integrated ergonomic handle. The hood is as standard covered in powder enamel yellow RAL1007. Move able in all possible positions.

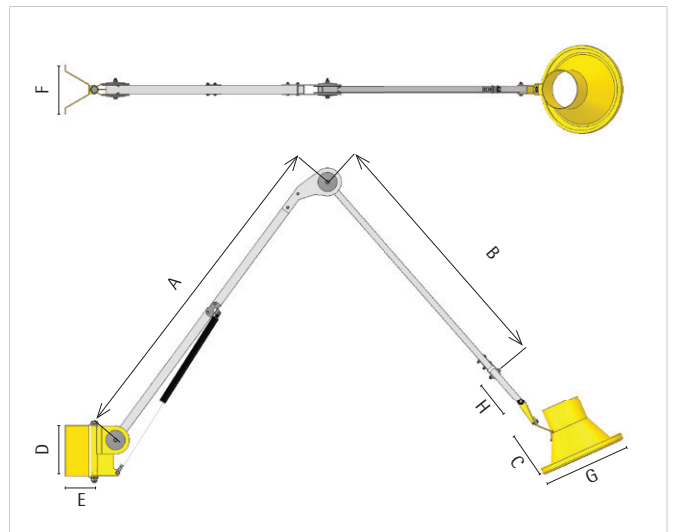
**Hose:** Clear polyester polyurethane with a spring steel copper wire. Wall thickness is approx. 0.4mm. Temperature range from -40 to +90°C.

**Arm and friction joint:** 25x25 mm aluminum pipe, con-nected via joints with friction discs and plate springs. In-ner arm part is reinforced with 35x35 mm aluminum pipe and equipped with gas spring.

**Capacity:** Up to 1000 m<sup>3</sup>/h, which makes it suitable for all types of wood dusts and chippings.



## Dimensions



Arm	A [mm]	B [mm]	D [mm]	E [mm]	F [mm]
2,0 m	870	700	206	120	200
3,0 m	1370	1210	206	120	200
4,0 m	1865	1700	206	120	200

Hood	C [mm]	G [mm]	H [mm]
Hood ø80 mm	225	205	200
Hood ø100 mm	245	225	200
Hood ø125 mm	240	250	200
Hood ø160 mm	225	355	200
Hood ø200 mm	180	355	200