

Geovent COMPACT arm is the perfect extraction solution, when the room height is low at the working place, e.g. in welding boxes. The COMPACT arm gives with its telescope function the perfect balance between larger arm's suck capacity and smaller arm's smooth operation. When the work is done – you push the arm up and away, and therefore it requires a minimum of space. The arm is mainly used for welding of smaller subjects, where the time and space are scarce.

The arm is supplied ready for mounting the ceiling (360° turn able) or at the wall (wall bracket necessary), with separate fan or for central system.

The arm can be extended up to 7 m by means of extension arms.

Description

Ceiling bracket: 360° turn able - Steel console in powder enamel with brass bearing and VA rubber packing ring.

Hood: Light weight hood in ø160 or ø200 mm. The hood is equipped with an integrated ergonomic handle. Covered in powder enamel yellow RAL1007.

Arm: Aluminum profiles with tension springs and sliding bearing.

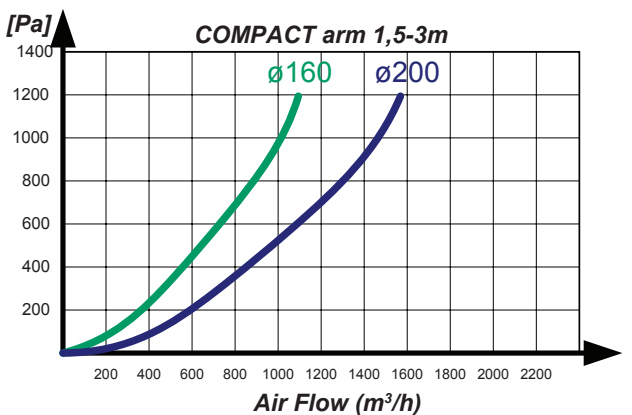
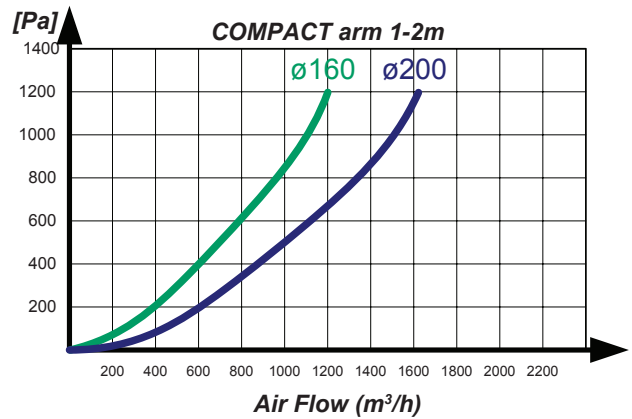
Hose: Black Weld in strong PVC/ polyester web with steel spiral. Temperature from - 40°C to + 100°C.

For further information on installation requirements etc., please refer to our instruction manual.



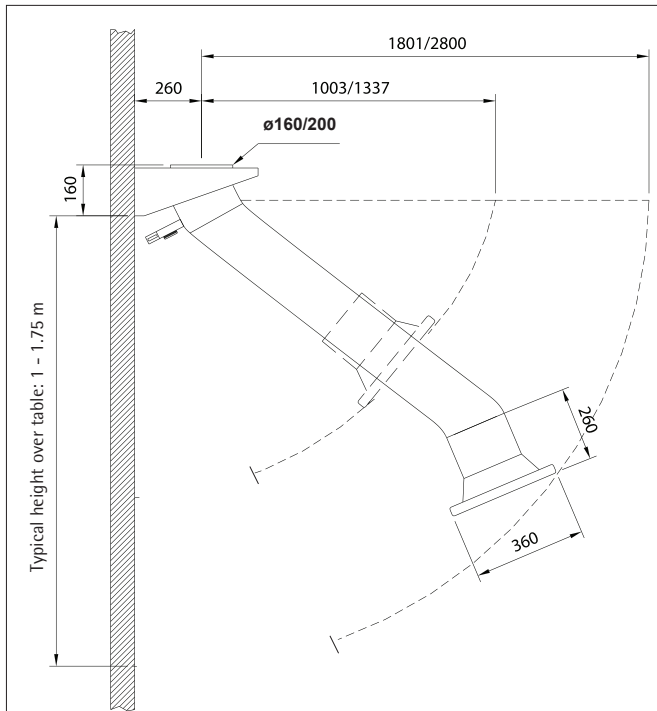
COMPACT arm

Pressure drop

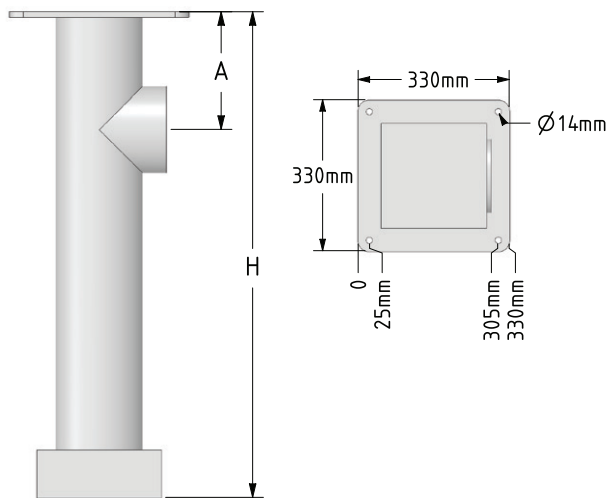


COMPACT arm 1-2m installed and including automatic control devices for automatic start/stop of the fan and motor damper.

Dimensions



Ceiling console



White COMPACT arm, customized design.

Ordering table

Art. No	Description
01-700	COMPACT arm 1 - 2 m telescopically ø160 mm
01-706	COMPACT arm 1,5 - 3 m telescopically ø160 mm
01-701	COMPACT arm 1 - 2 m telescopically ø200 mm
01-707	COMPACT arm 1,5 - 3 m telescopically ø200 mm

Accessoris COMPACT armen

Art. No	Description
12-008	Air tight damper ø160 mm
12-009	Air tight damper ø200 mm
01-540	Wall bracket ø160 mm
01-541	Wall bracket ø200 mm
01-550	Extension 1m ø160 mm
01-550A	Extension 1m ø200 mm
01-130	Extension 2,5m ø160 mm
01-130A	Extension 2,5 m ø200 mm
01-131	Extension 4,0m ø160 mm 2 joints
01-132	Extension 4,0m ø200 mm 2 joints
01-138	Extension 4,0m ø160 mm 1 joints
01-139	Extension 4,0m ø200 mm 1 joints
01-160	Ceiling consol ø160 mm, lengths 0,4 - 1,2 m.
01-161	Ceiling consol ø160 mm, lengths 1,2 - 2,4 m.
01-162	Ceiling consol ø200 mm, lengths 0,4 - 1,2 m.
01-163	Ceiling consol ø200 mm, lengths 1,2 - 2,4 m.

