



Dust Spares - Differential Pressure Gauge

Low Pressure Differential gauges for air filtration and dust extraction

- 100mm diameter
- Surface mounting
- Beryllium copper capsule
- Weatherproof construction IP66
- No maintenance required
- No manometer fluid to freeze or evaporate

Typical Applications:

- Clean rooms
- Dust extraction plant
- Filter condition indicator
- Inflated buildings & structures A Fan & blower measurement A Air conditioning filters
- Asbestos removal plant

Single scale markings in Pascals available as standard
Special dial markings to customers requirements are available.

Technical Specification

DIAL SIZE

100mm (4") diameter

SENSING ELEMENT

Beryllium copper capsule with sealed case

MATERIALS IN CONTACT WITH THE PRESSURE MEDIUM

Brass, beryllium copper, acrylic, neoprene and case material

CASE MATERIAL

Steel finished acrylic grey as standard. Brass or stainless steel as options

BEZEL MATERIAL

Stainless steel

ACCURACY

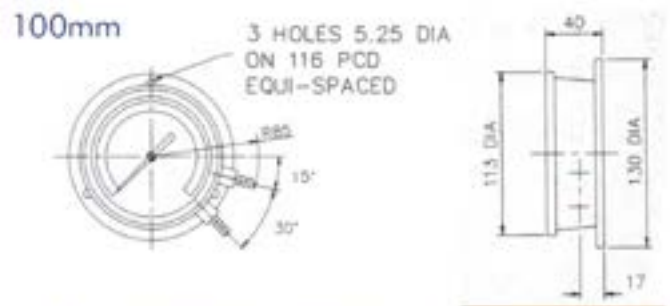
± 1.5% of full scale reading

CONNECTION SIZE

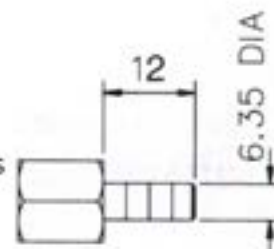
Push-on hose connection 6mm O/D Special connections to order



Easy to read dials to indicate positive or differential air and gas pressures



CONNECTION DETAILS



THE MANUFACTURING QMS SYSTEM AT OUR DUNWURRY PLANT IS APPROVED TO: BS EN ISO 9002: 1994