



GEOVENT MINI arm is a handy point extraction arm for extracting solder paste, fumes, oil mist, sanding dust etc. The MINI arm comes with a universal mounting bracket that can be mounted on either vertical (e.g. wall) or horizontal surfaces (e.g. table or base cabinet). The arm consists of 5 friction joints, which ensure easy and effortless positioning of the hopper.

### Construction:

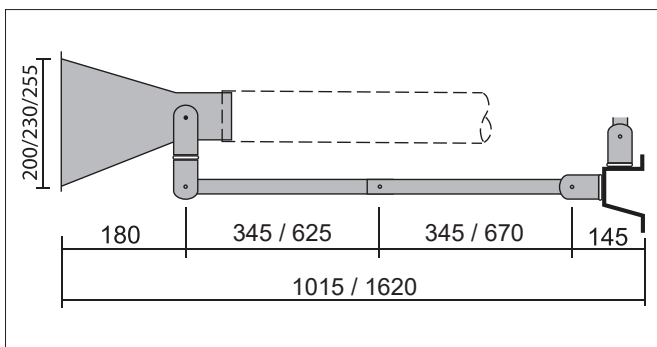
**Mounting bracket:** Powder-coated steel plate RAL 1007 yellow. The bracket can be rotated 360°.

**Funnel:** Lightweight aluminum funnel in the dimensions: ø80, ø100, ø125 mm in powder-coated RAL 1007 (yellow).

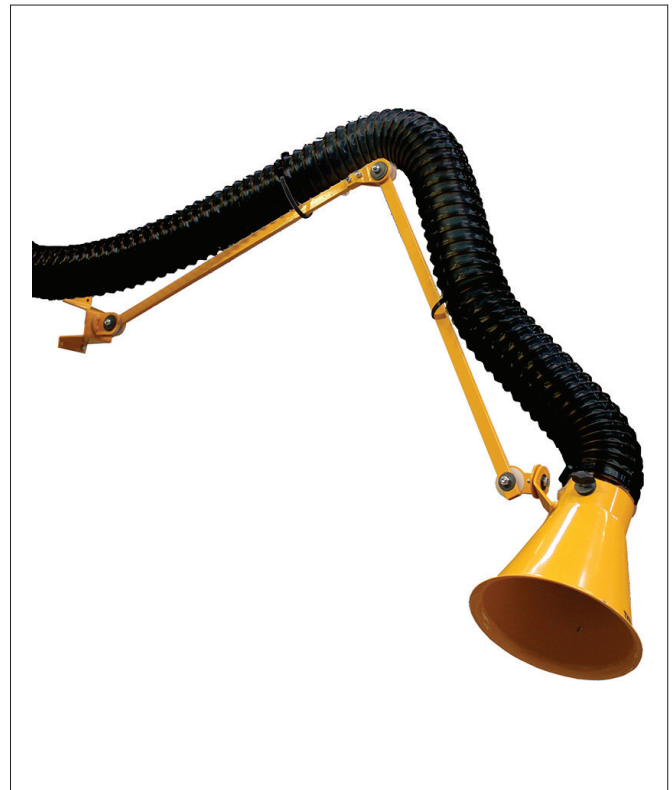
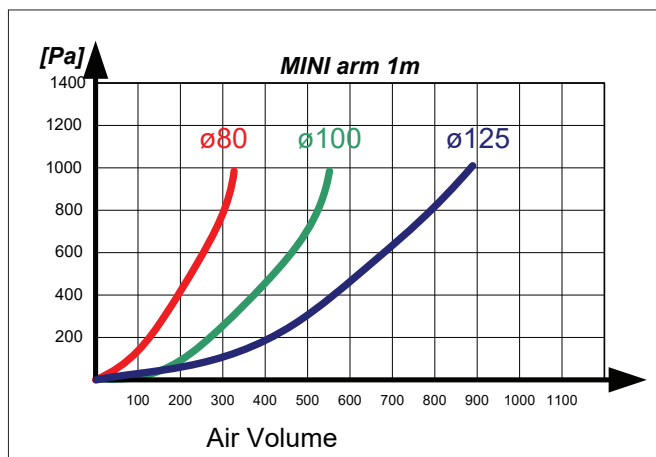
**Arms and friction joints:** powder-coated 20x10 mm ALU profile, which is connected via friction discs and disc springs.

**Capacity:** Up to 900 m<sup>3</sup>/h depending on the desired air speed.

### Sketches



### Pressure Loss



MINI arm ø80, ø100 & 125 mm

### Order Table

Varenr.	Betegnels
MINI-01	MINI arm 1,0 m ø80, Complete
MINI-02	MINI arm 1,0 m ø100, Complete
MINI-03	MINI arm 1,0 m ø125, Complete
MINI-07	MINI arm 1,5 m ø80, Complete
MINI-08	MINI arm 1,5 m ø100, Complete
MINI-09	MINI arm 1,5 m ø125, Complete

12-005	tight damper for funnel- ø80 mm
12-006	tight damper for funnel- ø100 mm
12-012	tight damper for funnel - ø125 mm

01-085	MINI arm 1,0 m without Funnel
--------	-------------------------------

06-121	funnel ø80 mm for MINI arm
06-122	funnel ø100 mm for MINI arm
06-123	funnel ø125 mm for MINI arm