

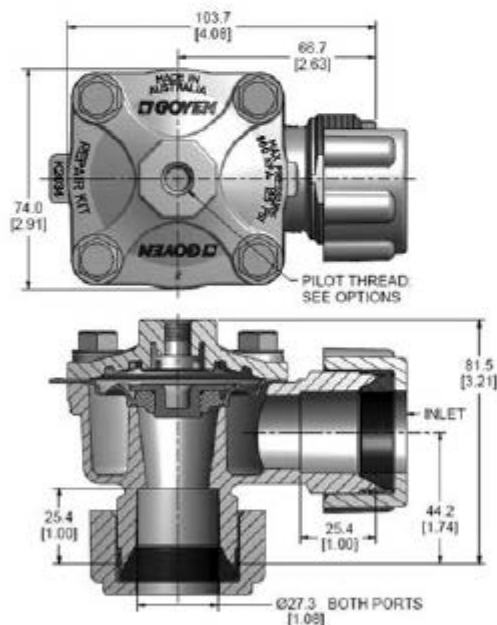
# RCAC20DD4

SERIES PULSE JET VALVES



## DIMENSIONS

[Dimensions in mm and [inches]]



## DESCRIPTION

High-performance diaphragm valve with dresser nut ports. Equipped with "Shockwave" springless diaphragm, the 4 series valves are available as remote pilot valves and may be converted to an integral pilot using either the RCA3DM or RCA3PV screw-in pilots. Outlet is at 90° to inlet.

## SUITABLE FOR

Dust collector applications, in particular for reverse pulse jet filter cleaning and its variations, including bag filters, cartridge filters and envelope filters.

## CONSTRUCTION

**Body and Dresser Nuts:** Aluminium (diecast)

**Screws:** 302 Stainless steel

**Dresser Nut Seals:** Nitrile or Viton

**Diaphragm:** Proprietary high-performance engineering thermoplastic Elastomer

## OPERATION

**Recommended on time range:**  
50 to 500 ms

**Recommended time between pulses:**  
1 minute or greater

## MAINTENANCE

Diaphragm and pilot inspection should be conducted annually.

## APPROVALS

The RCAC20DD4 meets the requirements of the European Electromagnetic Compatibility (EMC) Directive 2004/108/EC and Low Voltage Directive 2006/95/EC, when fitted with the RCA3PV pilot.

**Please Note:** Pipes must be to Schedule 40 outside diameter.

SCHEDULE 40 SIZE	OD MM	OD INCHES
¾"	26.67	1.05

## WEIGHTS

VALVE	KG (LB)
RCAC20DD4	0.52 [1.14]

## MAINTENANCE KITS

MODEL	NITRILE	SHOCKWAVE	VITON
<b>Diaphragm Kit</b> RCAC20DD4	N/A	K2034	K2033
<b>Dresser Seal Kit</b> RCAC20DD4	K2008	N/A	K2009

## PRODUCT CHARACTERISTICS AND PERFORMANCE

PORT SIZE MM (IN.)	NO. OF DIAPH.	FLOW KV (CV)	PRESSURE RANGE KPA (PSI)	TEMPERATURE RANGE °C (°F)	
				SHOCKWAVE	VITON SEALS
20 [¾]	1	14 [17]	30[5] to 860[125]	-40[-40] to 82[179.6]	-29[-20.2] to 232[449.6]