

# Nordfab In-line Spark Trap

Ø mm	W mm	H mm	Weight kg
100	466	180	2.8
125	504	224	3.2
160	616	315	3.7
200	606	350	5.0
250	606	400	5.9
315	676	500	6.8
400	766	630	7.3
450	826	710	15
500	926	810	21
560	1026	920	26
630	1086	1020	33
710	1186	1150	39

**Notes:**

Spark traps are sold only as a complete unit. For diameters 100 mm to 400 mm, this includes two sections and a clip attaching the sections. Diameter of both ends must be the same measurement (i.e. if diameter of airflow side is 100mm, diameter of downstream side must also be 100mm.) For diameters 450 mm to 710 mm, there are two sections attached via standing seam.

IMPORTANT: Spark trap must be mounted in a horizontal position.

The Nordfab In-line Spark Trap is a simple, low-cost tool that can reduce incidents of fire events, reducing costs and disruption and improving safety. System redundancy and complementary measures should be applied. It is not a primary safety device and does not replace spark detection or explosion isolation devices.

**Duct distance recommended**

At least ten diameters from cyclone / collector

**Airflow velocity**

1500 - 5000 fpm (7.62m/sec - 25.4m/sec)



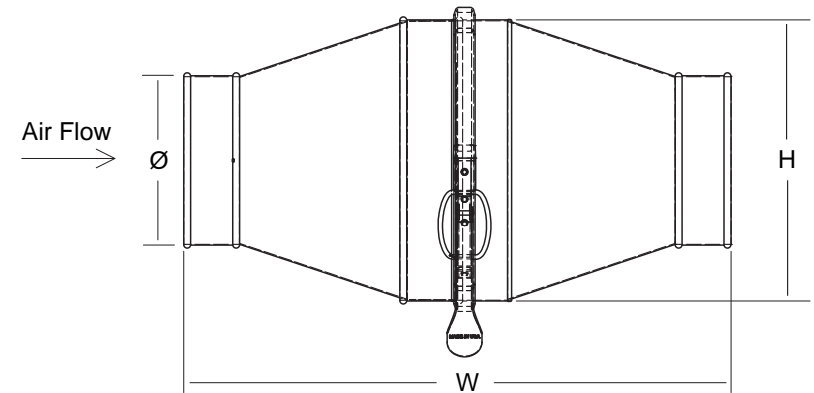
**Not an explosion  
isolation device\***

Temperature Rating of Product Components		
° C	Spark Trap	Sealants
-20°	Galvanised Steel	Joka Seal Metal Sealant 2315
121°		
260°		

**Additional Notes**  
At temperatures ranging between 200° C and 250° C, the zinc-iron alloy layers in galvanised steel will continue to provide a high level of protection from corrosion. However, there may be some peeling, changes in mechanical properties, and reduction in the corrosion protection. Recommended max. service temperature is 200° C.

Compliance / Rating of Product Components		
Product	Material	Compliance / Rating
Spark Trap	Galvanised	DX51D with Z275 Coating
Joka Seal Metal Sealant 2315	Acetone blend	AAMA Specification 801.1

Ø mm	Pressure drop at 15 m / s. 212 Pa
100	212
125	212
160	224
200	274
250	299
315	336
400	361
450	299
500	311
560	300
630	315
710	320



**Construction**

**Collars:** Collars have a plasma welded longitudinal seam.

**Ends**

Standard QF end can be changed to Raw ID (I/D), Raw OD (O/D), Hose Adapter (FX), Flat Bar Flange (FL), or 6mm turned out edge (FB).

