



Geovent Wing arm is the classic extraction arm. It was our first extraction arm, and was manufactured the first time in 1968. With more than 10,000 manufactured units, it is a very tested construction, which is improved through the years, and it is suitable for all kinds of point extraction e.g. welding fumes, oil fog, steams and dust. The wing arm can be extended up to 4.5, 5.5, 6.0, 6.5, 7.0 or 8.0 m by means of extension arms.

As accessory the wing arm can be equipped with a directly connected fan MSQ 200 0.75kW in either 220V or 380V.

Description

Ceiling bracket - 360° turn able: Powder enamel steel with brass bearing and VA rubber packing ring.

The arm has inner carrying arms with 3 stable self adjusting friction couplings, which ensures that the extraction arm is kept in the wanted position.

Hood: Light weight aluminum epoxyenamel with an integrated handle.

Carrying arms: 25 x 25 mm Aluminum pipe connected via knee joint with friction discs and pull springs.

Hose:

Black Weld in strong PVC/ polyester web with steel spiral. Temperature from -10°C to +80°C (Short +110°C).

Net weight: 11 kg – 16 kg depending on model.



WING arm ø160 and ø200 mm

Ordering table

Art. No.	Description
01-008	Wing arm ø160 mm 2 m
01-009	Wing arm ø160 mm 3 m
01-007	Wing arm ø160 mm 4 m

01-007A	Wing arm ø203 mm 2 m
01-008A	Wing arm ø203 mm 3 m
01-009A	Wing arm ø203 mm 4 m

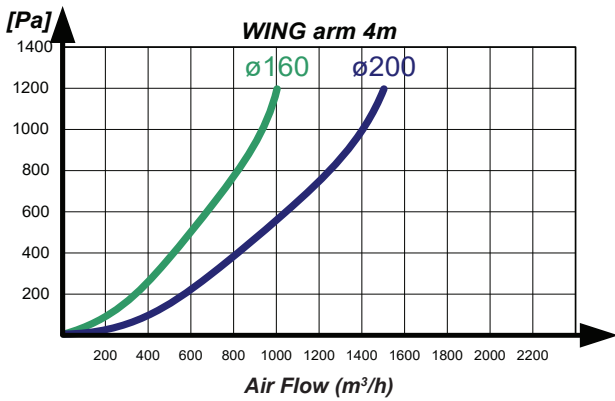
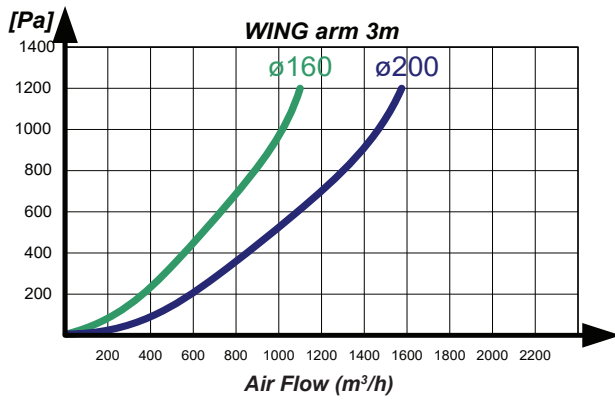
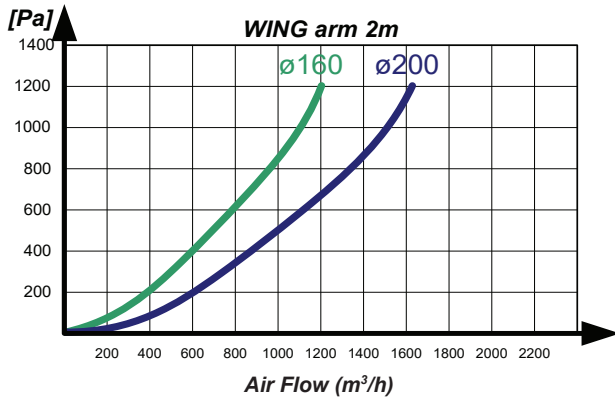
Accessories for WING arm

Art. No.	Description
12-008	Damper ø160mm w/rubber rim
12-009	Damper ø200mm w/rubber rim
01-540	Wall Console ø160 mm
01-541	Wall Console ø200 mm
01-550	Wall Console ø160 mm, 1m from wall
01-550A	Wall Console ø200 mm, 1m from wall
01-181	Extension arm 2m, 1-joint for 160 mm, incl. wall console, excl. adapter
01-181A	Extension arm 2m, 1-joint for 200 mm, incl. wall console, excl. adapter
01-182	Extension arm 3m, 1-joint for 160 mm, incl. wall console, excl. adapter
01-182A	Extension arm 3m, 1-joint for 200 mm, incl. wall console, excl. adapter
01-183	Extension arm 4m, 1-joint for 160 mm, incl. wall console, excl. adapter
01-183A	Extension arm 4m, 1-joint for 200 mm, incl. wall console, excl. adapter
01-184	Extension arm 5m, 1-joint for 160 mm, incl. wall console, excl. adapter
01-184A	Extension arm 5m, 1-joint for 200 mm, incl. wall console, excl. adapter
01-186	Extension arm 4m, 2-joint for 160 mm, incl. wall console, excl. adapter
01-186A	Extension arm 4m, 2-joint for 200 mm, incl. wall console, excl. adapter

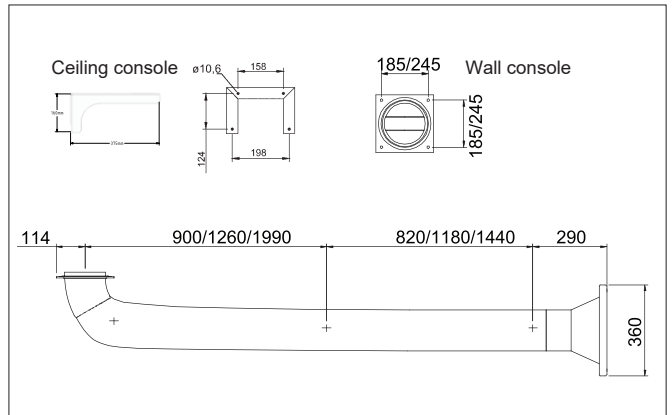


Extension arm with WING adapter

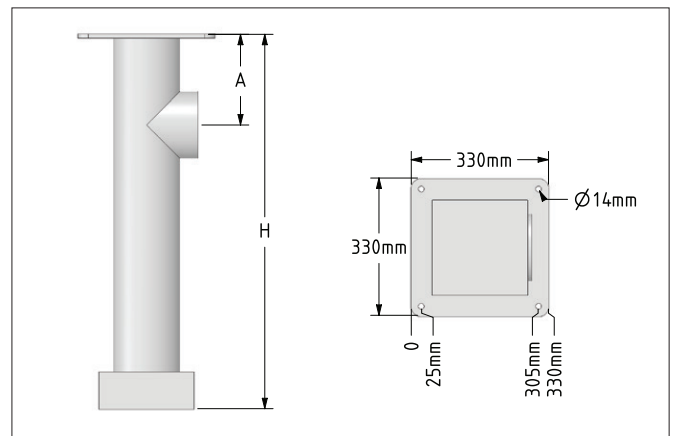
Pressure drop



Dimensions



Dimensions off ceiling console



The Wing arm can be offered with built-in light, start/stop switch, manual or motorized damper.



Wing arms $\varnothing 160\text{mm}$ 3m installed at technical school. Including automatic control devices for automatic start/stop of fan and motor damper.