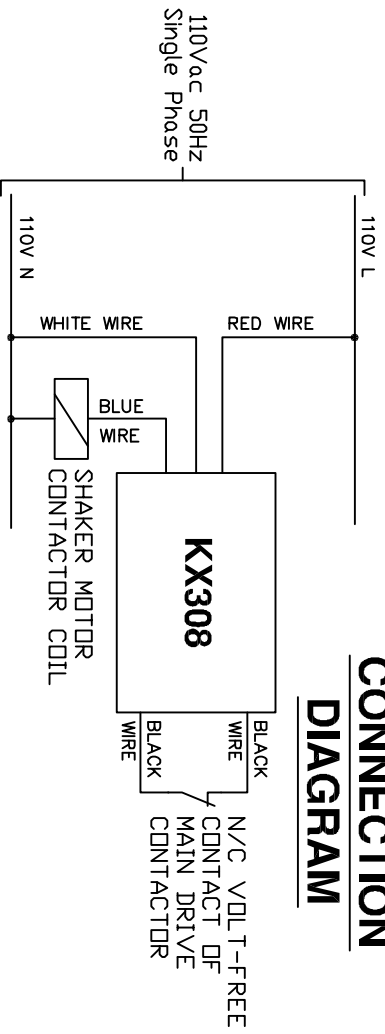


MOULDED PLASTIC CASE
WITH PLASTIC CLOSER

CONNECTION DIAGRAM



ALL DIMENSIONS IN MILLIMETRES
THIRD ANGLE PROJECTION

Part No:		KX308/110	
Title:		KX308 - 110V AUTOSHAKER/REGEN TIMER GENERAL ARRANGEMENT	
Issue	Description	Date	
A	PRELIMINARY	11.05.04	
Drwn.	JCA	11.05.04	
Chkd.	/	/	
Appd.	/	/	
CADFile:	ASHAKER\308110A	Plot Date:	11.05.04
Dwg. No.	3081101		Rev. A
Sheet	1 of 1		

THIS DRAWING IS THE COPYRIGHT AND
MAY NOT BE COPIED, TRANSMITTED NOR
USED FOR ANY PURPOSE OTHER THAN
THAT FOR WHICH IT WAS INTENDED,
WITHOUT THE WRITTEN PERMISSION.